

# 3VD

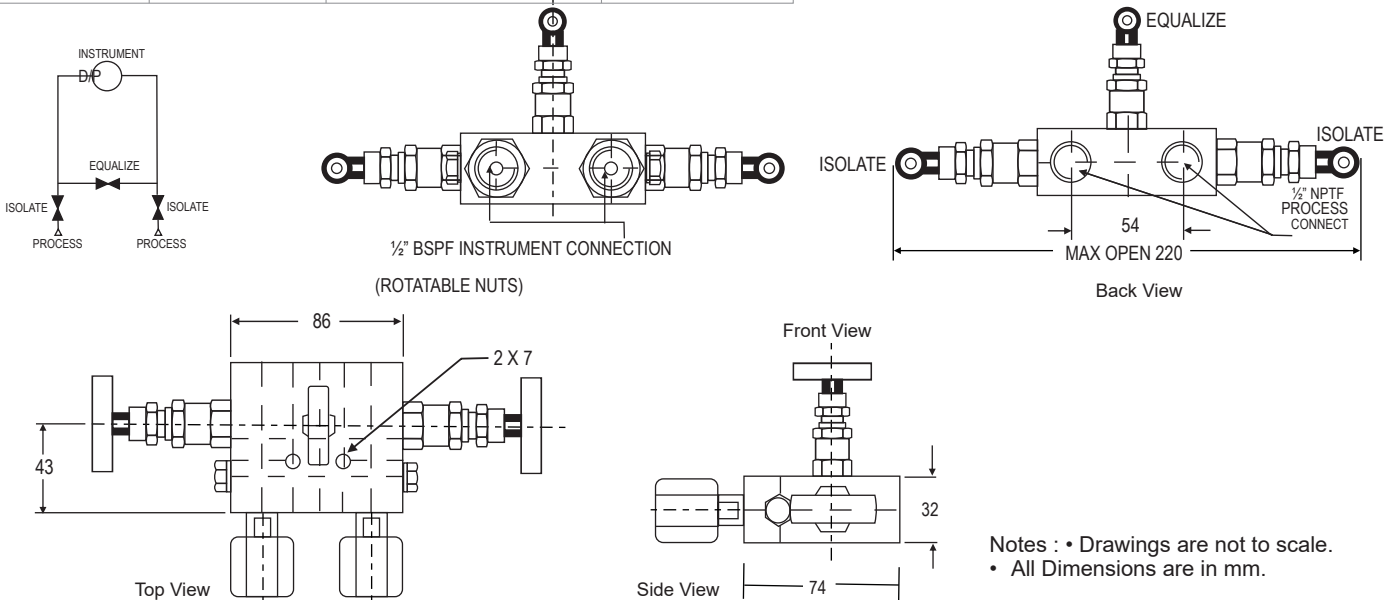
Remote mount (pipe to pipe)



Three valve manifold for differential pressure gauges. Two horizontal inlets NPT female at bottom side. Two outlets with rotating for nuts on top side and vent/test connection on top. Equalizing bonnet at front, isolating bonnets at left and right hand side. Also available in 50mm tap spacings Series - 3VD50.

## Standard Connection

Product	Process side	Instrument side	Vent/Test
3VD	1/2" NPT female	1/2" BSP Rotatable nuts	1/4" NPT Female



Notes : • Drawings are not to scale.  
• All Dimensions are in mm.

## Specifications

Body	: SS 316
Stem	: SS 316
Valve assembly	: SS 316
'T' bar handle	: SS 304
Maximum working pressure	: 6000 psi
Maximum working temperature	: 240°C
Packing	: PTFE
Type of stem	: Type CT; Stem with conical metal tip
Drain port	: 1/4" NPT [F], provided with SS 316 plug
Bracket mounting holes	: 2 Nos.

**How To Order**

Body Material	Stem Type	Stem Packing	Size = Inlet x Outlet	Connections	Threads
C = Carbon Steel	CT (std)	P = PTFE (std)	24 = 1/4" x 1/4"	MR = Male x Female Rotating	N = NPT (ANSI B 1.20.1)
C = SS 316 (std)	DS	G = Grafoil	44 = 1/2" x 1/2" (std)	FR = Female x Female Rotating	P = BSPP (BS 2779, ISO 228/1)
S4 = SS 304					B = BSPT (BS 21, ISO 7/1)
SL = SS 316L					
M4 = Monel 400					
M5 = Monel 500					
H = Hastelloy C					

**Options**

**TF** : Compliance to NACE standard  
**SG** : For Oxygen service, valves are supplied cleaned, degreased and suitably packed.  
**GH** : Material test certificate\*  
**GO** : Hydro test certificate  
**MB** : Mounting Bracket

\*Material test certificates will be provided for wetted parts only with chemical composition testing. For others, please consult factory.

**Example**

To place an order simply refer to the codes in the table.

Valve Type : Body Material + Stem Type + Stem Packing + Size Connections + Threads + Options

3VD + C + CT + P + 44 + FR + N = 3VD . C . CT . P . 44 . FR . N . Options

**NOTE:**

- The weld prepared types are available with female plain end - suitable for socket weld.
- Anti-tamper bonnet - special design on request with locking arrangement if desired.